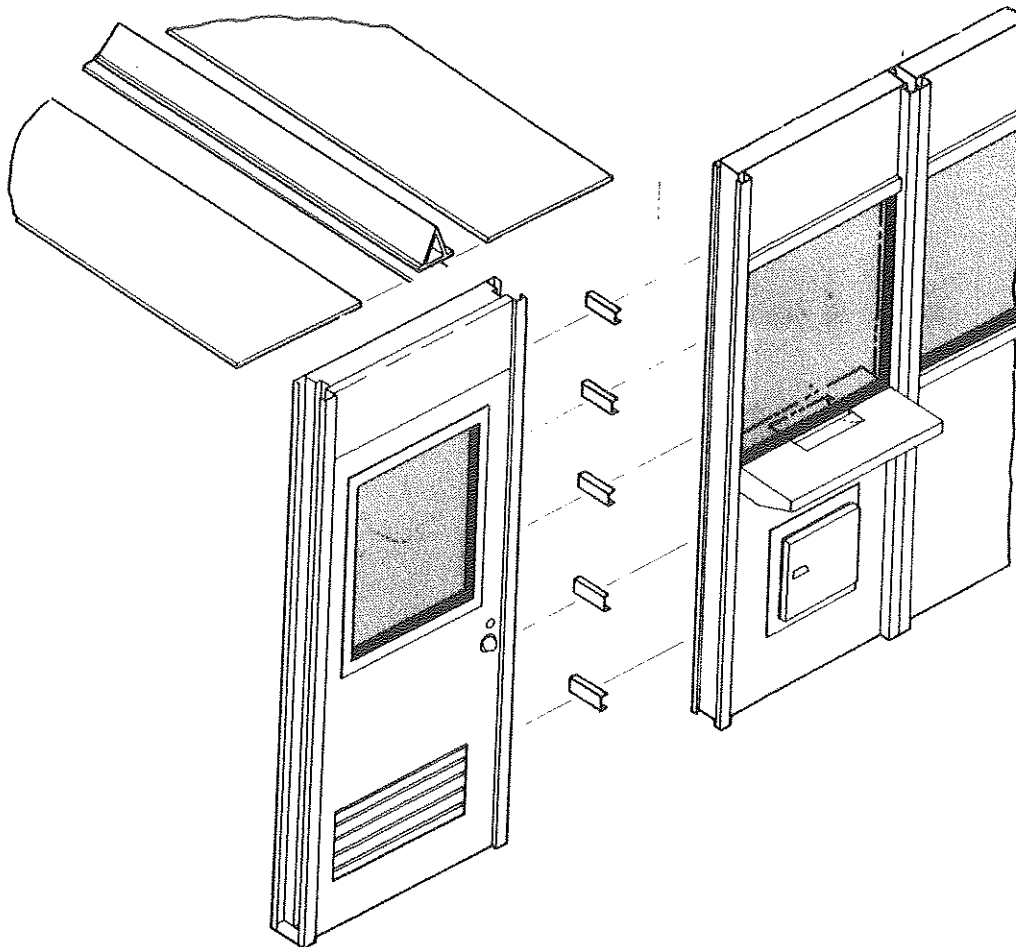


**BULLET PROOF**

**BULLET RESISTANT  
MODULAR GUARD ENCLOSURES**

**M G E**



**APPLICATIONS** - INTERIOR/EXTERIOR USE  
for fully enclosed or self-contained bullet resistant rooms or buildings, point of sale areas, parking lots, toll collection, guard stations, self-service gas stations.

**CODE COMPLIANCE**

Assemblies are listed and labeled by Underwriters Laboratories, Inc. (UL) under *Standard for Safety UL 752, Bullet-Resisting Equipment* for:

★Level 1, ★Level 2, ★Level 3, ★Level 4  
Consult CBPS for higher levels.

A label bearing certification is affixed to the protected side of frame.

**DESCRIPTION**

MGE is a modular system of wall panels which can be connected to create continuous walls or enclosures. Panels are easier to carry into buildings and down narrow passage ways. They can be disassembled and rearranged if desired for relocation. MGEs can also be used to create large guard enclosures which could not be shipped prefabricated.

**PANELS ARE AVAILABLE IN THE FOLLOWING UNITS:**

-Flush panel, panel with vision window, panel with teller window, panel with door, ceiling panel, corner post.

**OPTIONS:**

-Gunport, package passer, and louvre.  
-Connectors are provided for connecting panels together.

**SIZES**

-Suggested not to exceed 36" w x 120" h for handling purposes.

**FINISH**

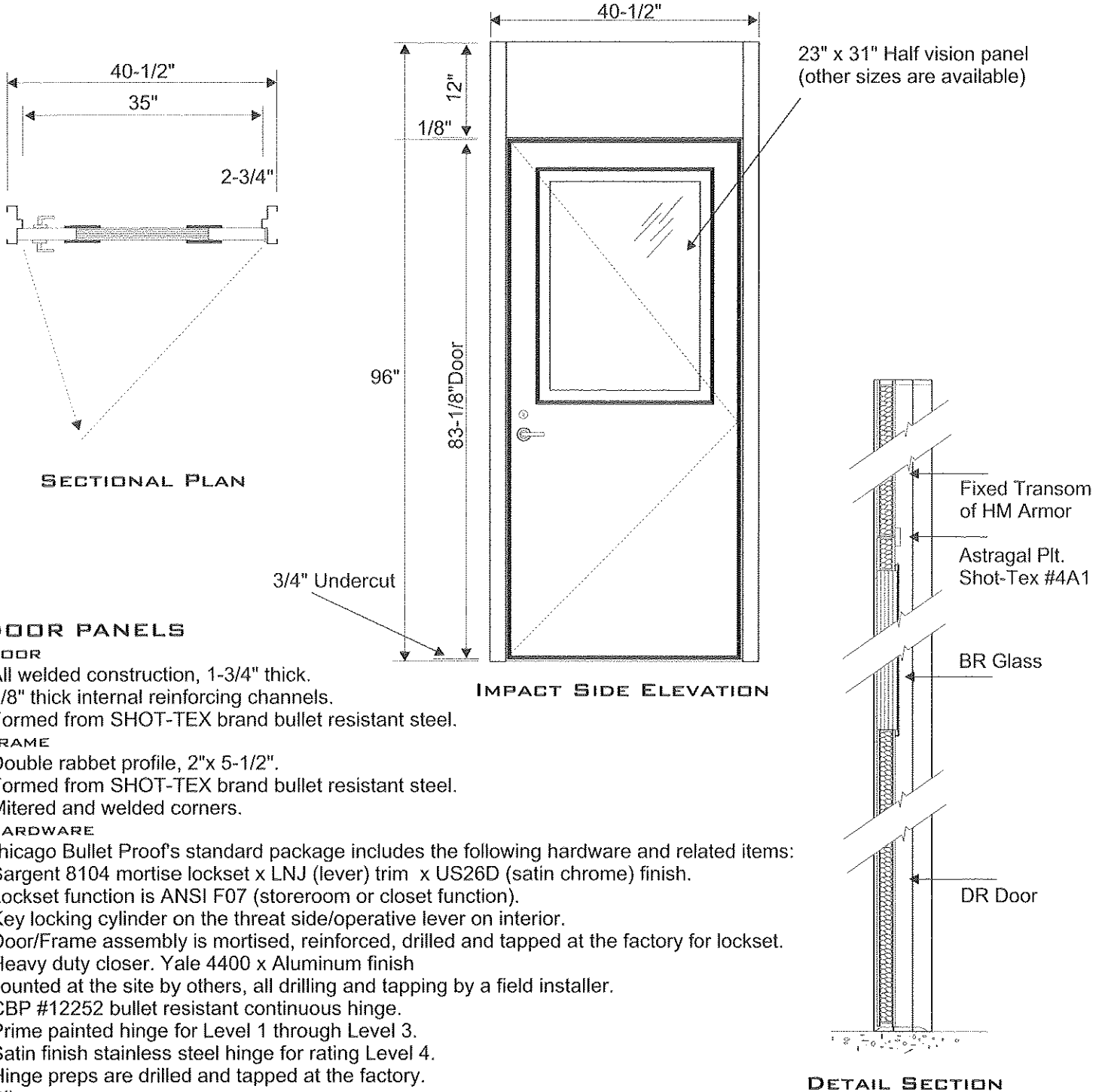
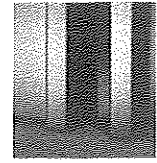
-Prior to shipment, panels are degreased, all welds are ground smooth, and assemblies are spray-painted with rust-inhibiting primer.

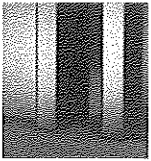
**CHICAGO BULLET PROOF SYSTEMS**  
2595 BOND ST.  
UNIVERSITY PARK, IL 60484

**WWW.CHICAGOBULLETPROOF.COM**

**P. (708) 534-9102**

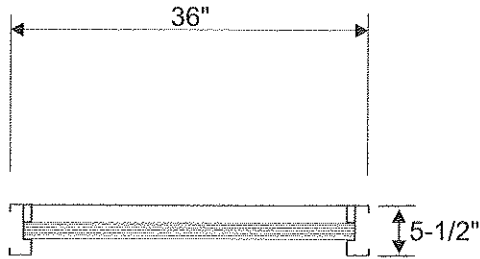
**F. (708) 534-9132**





**BULLET RESISTANT  
MODULAR GUARD ENCLOSURES**

**MGE**



**SECTIONAL PLAN**

**WINDOW PANELS  
TRANSPARENT ARMOR**

- UL Listed bullet resistant transparent armor supplied with frame.
- Shipped in a separate crate.
- Includes acoustic rubber spacers for seating transparent armor into framing for transaction windows.
- Field glazing is required.
- Laminated glass is standard

Optional transparent armors: Glass clad polycarbonate, Glass clad polycarbonate with air gap, Laminated polycarbonate, Acrylic.

**TRANSACTION WINDOW PANELS  
DEAL TRAY & SILL**

- For transacting items not to exceed 12-3/4" in width x 1-5/8" in height.
- Satin stainless steel finish.
- Sill runs width of window.

**OPTIONAL LEDGE FEATURE**

- 6 1/2" stainless steel writing ledge extending the full width of the sill.

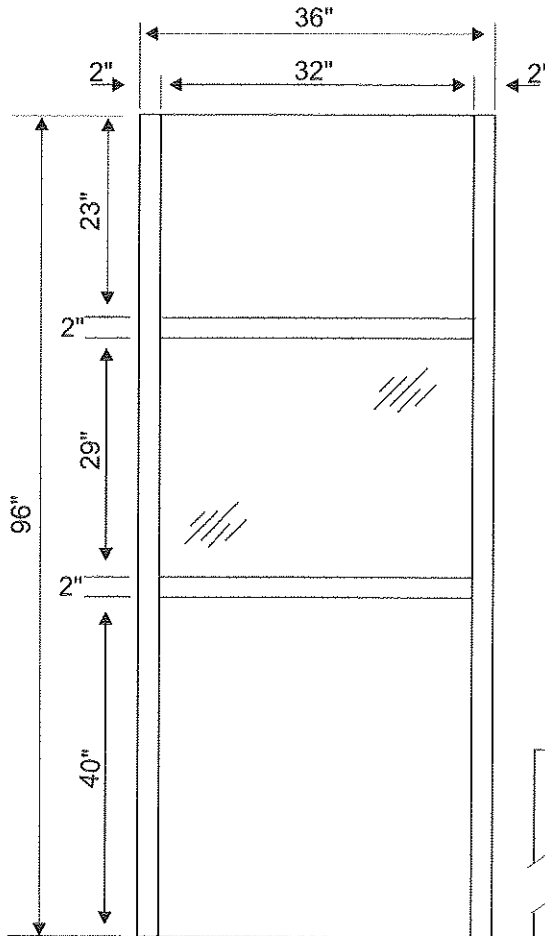
-On either or both sides of window.

This option is an integral part of the sill and available only at the time of ordering.

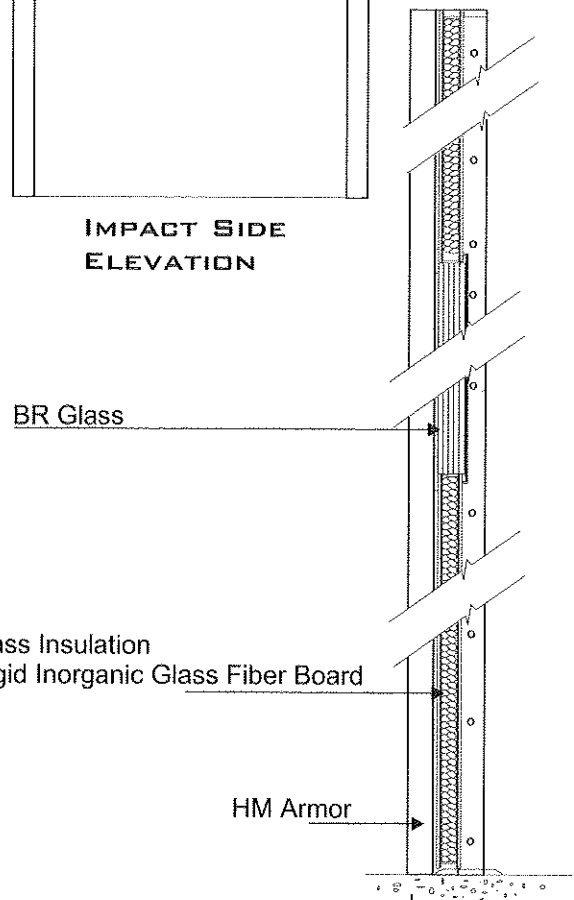
**OPTIONS**

- PP PACKAGE PASSER - See standard data sheet.
- GP3 OR GP4 GUNPORT - See standard data sheet.
- LOUVRE - See standard data sheet.
- CUSTOM SHROUDS FOR HVAC AND AND ELECTRICAL OR PLUMBING PENETRATION.

CUSTOM-BUILT UNITS AVAILABLE.



**IMPACT SIDE  
ELEVATION**



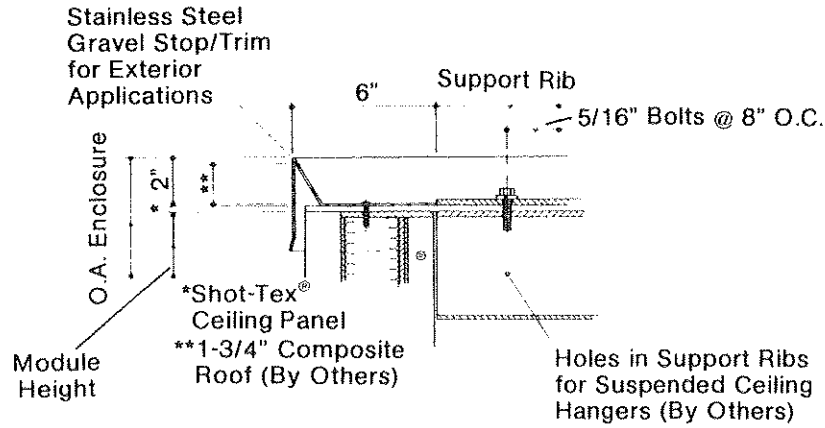
**DETAIL SECTION**

**CHICAGO BULLET PROOF SYSTEMS  
2595 BOND ST.  
UNIVERSITY PARK, IL 60484**

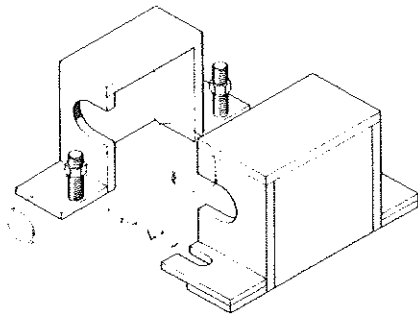
**WWW.CHICAGOBULLETPROOF.COM  
P. (708) 534-9102  
F. (708) 534-9132**



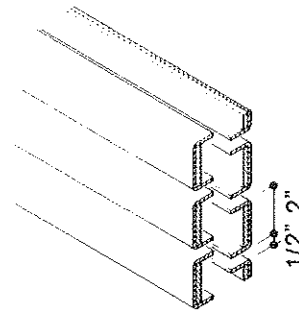
## MISCELLANEOUS DETAILS



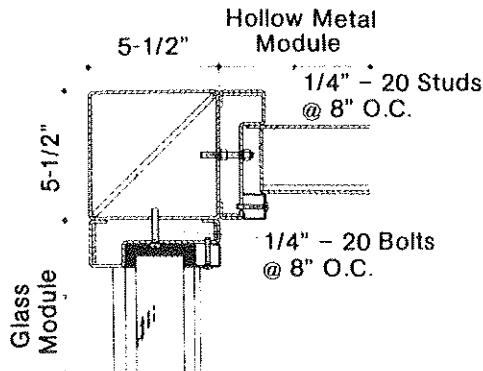
**CEILING ARMOR**  
(Vertical Cross Section)



**PLUMBING/ELECTRICAL  
PENETRATION SHROUDS**



**LOUVRE PANELS**



**CORNER POSTS**  
(Horizontal Cross Section)