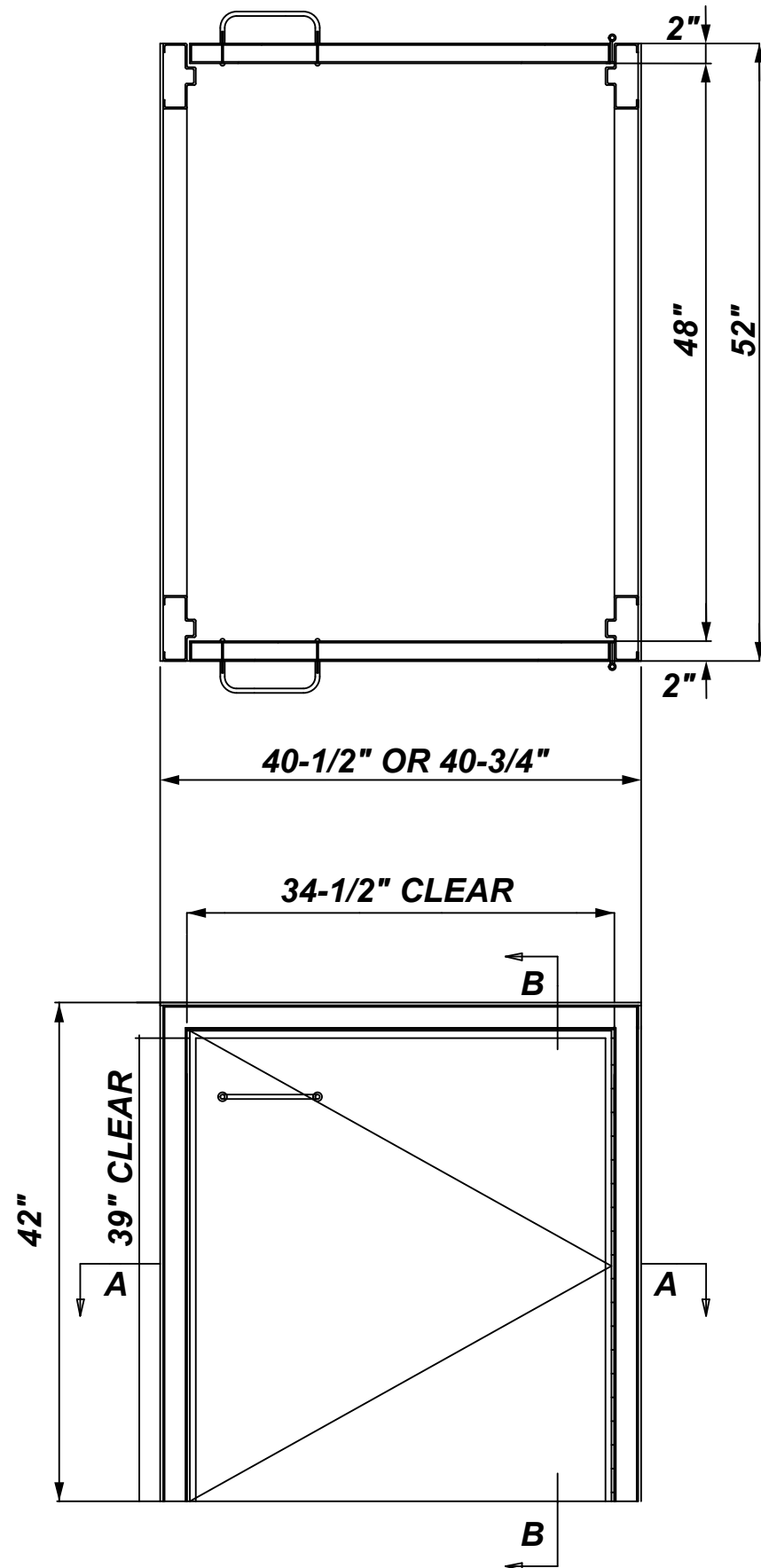


CUSTOM SIZES AVAILABLE:

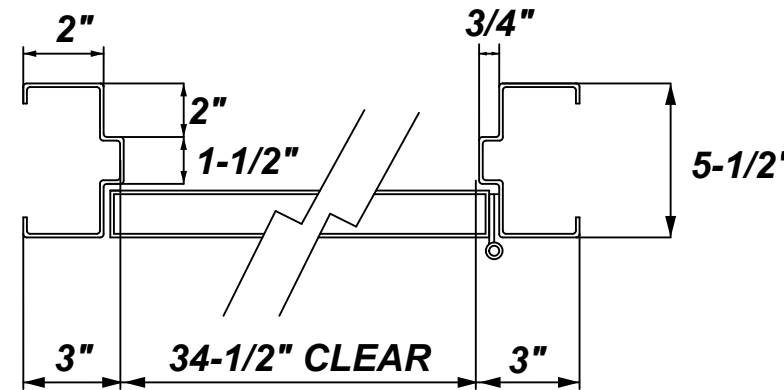
CONTACT CBP FOR SIZE AND HARDWARE RESTRICTIONS



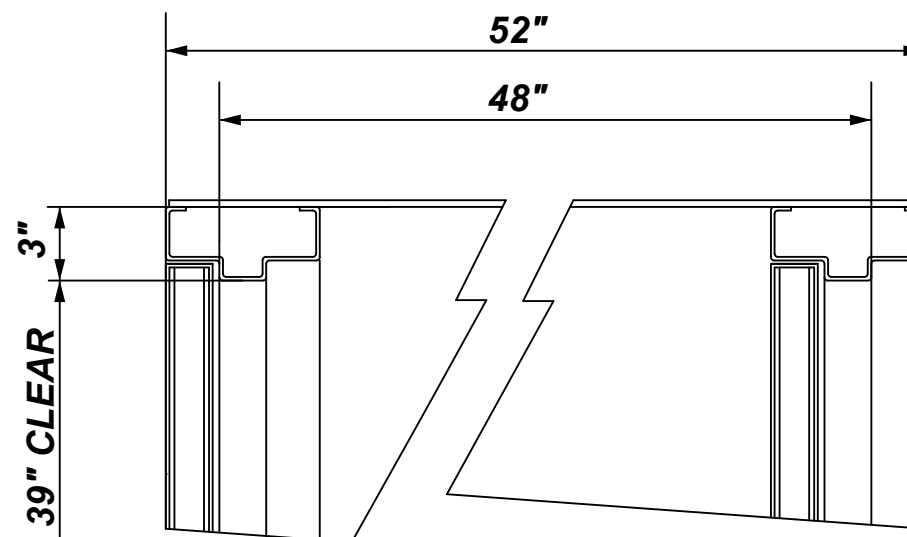
INSTALLATION:

-THE PASS-THRU UNIT SHALL ARRIVE AT THE SITE ASSEMBLED, INCLUDING THE ELECTROMECHANICAL LOCKS. THE INTERCONNECTING ELECTRICAL COMPONENTS (PROVIDED BY OTHERS) SHALL BE FIELD WIRED.

- 1.) PREPARE OPENING IN WALL. THE STANDARD SIZE LEVEL 3 UNIT REQUIRES A 41"W x 42-1/2" HIGH WALL OPENING. THE STANDARD LEVEL 4 UNIT REQUIRES A 41-1/4"W x 42-3/8"H WALL OPENING.
- 2.) USING A CARBIDE DRILL BIT, THE INSTALLER MUST DRILL A HOLE THROUGH THE BODY OF THE UNIT TO BRING IN POWER. THE LOCATION AND SIZE OF THIS HOLE IS DETERMINED BY THE INSTALLER. CBP RECOMMENDS THAT THIS HOLE BE LOCATED ON THE LATCH BOLT SIDE OF THE UNIT BEHIND THE 8"H RACEWAY CHANNEL INSIDE THE UNIT.
- 3.) SLIDE UNIT INTO PLACE, ADJUSTING PROJECTIONS BEYOND FACES OF WALL AS REQUIRED. MAKE CONDUIT CONNECTIONS, IF NECESSARY, THEN ANCHOR UNIT IN PLACE WITH SIX (6) HILTI #12-234 "KWICKBOLTS" OR EQUALS (SUPPLIED BY OTHERS). BOLTS GO THROUGH THE FLOOR ANGLES ON THE UNITS INTERIOR INTO THE FINISHED FLOOR.
- 4.) REMOVE 8" RACEWAY CHANNEL INSIDE THE UNIT TO EXPOSE WIRING ACCESS FROM FRAME TO FRAME. INSTALL THE ELECTRIC DEADBOLTS WITHIN THE MORTISES, REINSTALL THE RACEWAY CHANNEL TO COVER WIRES, INSTALL THE REVERSE REVERSE PULL HANDLES ON DOORS, AND FINISH JOINTS BETWEEN UNIT AND WALL.



Section "A-A"



Section "B-B"

CBP Model MCPT

BULLET RESISTANT MONEY CART PASS THRU

UL 752 Listed and Labeled Levels 1-4

(Levels 1-3 are the same construction)

APPLICATIONS:

-THE MCPT UNIT IS A TRANSFER DEVICE WHICH ALLOWS FOR THE PASSAGE OF A WHEELED CART OR PALLET CARRYING COIN, CURRENCY, DATA PROCESSING MATERIALS, OR OTHER HEAVY BULKY ITEMS THROUGH A WALL OR PARTITION. USE OF THE MCPT ALLEVIATES THE NEED TO OPEN PERSONNEL DOORS, THUS AVOIDING A COMPROMISE IN SECURITY. TYPICAL USES INCLUDE: ACCESS CONTROL CHECKPOINTS, ARMORIES, BANK OPERATIONS AREAS, CASH VAULTS, CURRENCY RECEIVING ROOMS, MATERIAL VAULTS, AND WORK ROOMS.

DOORS:

- INTERLOCK TO ONLY PERMIT ONE DOOR TO OPEN AT A TIME.
- 3/4" CUT AT BOTTOM OF DOOR FOR THRESHOLD IS REQUIRED.
- 34-1/2"W x 39"H CLEAR OPENING.
- 1-3/4" THICK
- ALL WELDED CONSTRUCTION

STANDARD HARDWARE PACKAGE:

- [2] CBP CONTINUOUS HINGES
- [2] STAINLESS STEEL PULLS
- SILENCERS
- [2] BRINKS 3020 x US32D MORTISE DEADLOCKING LATCH x FAIL SECURE OPERATION x 24V DC. CBP PROVIDES KEY CYLINDER ONLY ON EXTERIOR SIDE OF BOTH DOORS. **ACTUATORS, TRANSFORMERS AND ELECTRICAL WIRING IS BY OTHERS.**
- RACEWAY CHANNEL/BUMPER ON EACH INTERIOR SIDE FOR WIRING TROUGH.

ADDITIONAL HARDWARE OPTIONS:

- WEATHERSTRIPPING FOR EXTERIOR DOOR

FILE NO. BP1942 SECURITY			
		CHICAGO BULLET PROOF SYSTEMS, INC 2595 BOND ST. UNIVERSITY PARK, IL. 60484 708-534-9102 WWW.CHICAGOBULLETPROOF.COM	
MCPT MONEY CART PASS THRU			
MATERIAL: SHOT-TEX		FINISH: PRIME PAINTED, POWDER COATED, OR STAINLESS STEEL	
DWG. NO.: MCPT	REVISION: 0	UL LEVEL: 1-4	GLAZING: TBD
TOLERANCES: +/-1/16"		SCALE: 1-1	
SHEET: 1 OF 1	WEIGHT: TBD		